

TOUCH PROOF/SCREENED SEPARABLE CONNECTOR

elechem screened separable connectors and touchproof terminations have been designed for connection of 1C and 3C polymeric cables for MV switchgears and other such equipments, using 'C' type bushings for 630A upto 36kV. These are made from highly modified EPDM rubber and are protected by a touchproof outer conductive screen that is connected to earth. Supporting a wide application range of touch proof terminations, the design incorporates one body and stress cone adapters to cover all cross section from 35-400 Sq.mm. All kits include high-performance multi range compression lugs matching the design of the connector.

Features

- 100% factory tested
- Provides fully screened and submersible separable connection.
- Voltage class: 15kV, 24kV, 36kV
- Mating with C - type bushings and plugs complying with EN 50180 & EN 50181
- Compact design

Technical Specification

Voltage Class	15kV	24kV	36kV
Continuous Current	630A	630A	630A
Standard	EN 50180 & 50181	EN 50180 & 50181	EN 50180 & 50181
Bushing Type	Type C	Type C	Type C
AC Withstand Voltage	28.5kV for 5 min	54kV for 5 min	85.5kV for 5 min
Impulse Withstand Voltage (10 times for each polarity)	75kV	125kV	170kV
Partial Discharge at 1.73U0	≤10pC	≤10pC	≤10pC
Screen Resistance	≤5000Ω	≤5000Ω	≤5000Ω
Cable Cross-Section	35-400mm ²	35-400mm ²	35-400mm ²

Table: 1



Fig: 1

Size and Type:

Size and Type	Rated Voltage (kV)	Rated Current (A)	Cross Section(mm ²)	
			minimum	maximum
GTP3-15/630	15	630	35	400
GTP3-24/630	24	630	35	400
GTP3-36/630	36	630	35	400

Table: 2

TOUCH PROOF/SCREENED SEPARABLE CONNECTOR

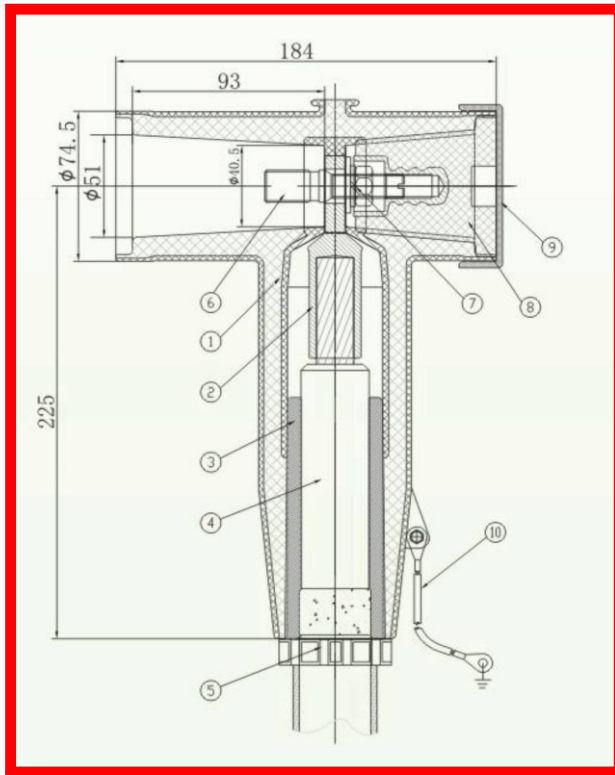


Fig: 2

Design & Components:

- 1) Front joint body
 - a) Conductive inner layer
 - b) Insulation layer
 - c) Conductive Outer layer
- 2) Lug
- 3) Adaptor
- 4) Cable
- 5) Location Buckle
- 6) Stud
- 7) Nut/Flat
- 8) Insulation plug
- 9) End Cap
- 10) Grounding Wire

Applications:-

- Can be used in :
- 1) Marine and Offshore
 - 2) Mining
 - 3) Oil and Gas
 - 4) Rail
 - 5) Wind and Solar Energy
 - 6) Substation

